



MINI-LED SPOTLIGHT WITH MAGNETIC BASE

Model 95799

ASSEMBLY AND OPERATION INSTRUCTIONS



Due to continuing improvements, actual product may differ slightly from the product described herein.



3491 Mission Oaks Blvd., Camarillo, CA 93011

Visit our website at: <http://www.harborfreight.com>

**TO PREVENT SERIOUS INJURY, READ AND UNDERSTAND
ALL WARNINGS AND INSTRUCTIONS BEFORE USE.**

Copyright© 2007 by Harbor Freight Tools®. All rights reserved. No portion of this manual or any artwork contained herein may be reproduced in any shape or form without the express written consent of Harbor Freight Tools.

For technical questions or replacement parts, please call 1-800-444-3353.

SPECIFICATIONS

Cord Length	6'-9" long-retractable
Material	ABS thermoplastic housing
Overall Dimensions	2-13/16" L x 2-1/2" W
Power Source	12 VDC Cigarette Lighter Attachment
Net Weight	.45 Lbs.
Fuse	F2A250V

Save This Manual

You will need this manual for the safety warnings and precautions, assembly, operating, inspection, maintenance and cleaning procedures, parts list and assembly diagram. Keep your invoice with this manual. Write the invoice number on the inside of the front cover. Write the product's serial number in the back of the manual near the assembly diagram, or write month and year of purchase if product has no number. Keep this manual and invoice in a safe and dry place for future reference.

GENERAL SAFETY RULES

 **WARNING!**

READ AND UNDERSTAND ALL INSTRUCTIONS
Failure to follow all instructions listed below may result in electric shock, fire, and/or serious injury.
SAVE THESE INSTRUCTIONS

1. **Keep your work area clean and well lit.** Cluttered benches and dark areas invite accidents.
2. **Do not use this product in rain or wet conditions.** Water entering a power tool will increase the risk of electric shock.
3. **Stay alert. Watch what you are doing, and use common sense when using this product. Do not use this product while tired or under the influence of drugs, alcohol, or medication.** A moment of inattention while operating this product may result in serious personal injury.
4. **Do not force the Spotlight. Use the correct Spotlight for your application.** The correct Spotlight will do the job better and safer at the rate for which it is designed. Do not force the Spotlight and do not use it for a purpose for which it is not intended.
5. **Do not use the Spotlight if the Power Switch does not turn it on or off.** Any product that cannot be controlled with the Power Switch is dangerous and must be replaced.

6. **Disconnect the Power Cord Plug from the power source before making any adjustments, changing accessories, or storing the Spotlight. Always unplug the Spotlight from its electrical outlet before performing any inspection, maintenance, or cleaning procedures.**
7. **Store an idle Spotlight out of reach of children and other untrained persons.** This product is dangerous in the hands of untrained users.
8. **Check for breakage of parts, and any other condition that may affect the Spotlight's operation. If damaged, have it serviced before using.** Many accidents are caused by poorly maintained products.
9. **Tool service must be performed only by qualified repair personnel.** Service or maintenance performed by unqualified personnel could result in a risk of injury.
10. **When servicing a tool, use only identical replacement parts. Follow instructions in the "Inspection, Maintenance, And Cleaning" section of this manual.** Use of unauthorized parts or failure to follow maintenance instructions may create a risk of electric shock or injury.
11. **Maintain labels and nameplates on the tool.** These carry important information. If unreadable or missing, contact Harbor Freight Tools for a replacement.
12. **Never leave the Spotlight unattended when it is plugged in.** Turn off the Spotlight, and unplug it from its electrical outlet before leaving.
13. **Never look directly into the Spotlight.**
14. **Do not allow the Spotlight to be exposed to fire or high heat as this may result in an explosion.**
15. **When in use, the product will become hot.** Do not leave hot product on dashboard or on seats.
16. **WARNING: The brass components of this product contain lead, a chemical known to the State of California to cause birth defects (or other reproductive harm). (California Health & Safety code § 25249.5, et seq.).**

UNPACKING

When unpacking, check to make sure that the item is intact and undamaged. If any parts are missing or broken, please call Harbor Freight Tools at the number shown on the cover of this manual as soon as possible.

ASSEMBLY INSTRUCTIONS

1. **⚠️WARNING!** Make sure the Power Switch of the Spotlight is in its "OFF" position and that it is unplugged from its electrical outlet before making any adjustments to the Spotlight.
2. Your Mini-LED Spotlight comes completely assembled. Instructions on replacing the Fuse are outlined below.

Replacing the Fuse

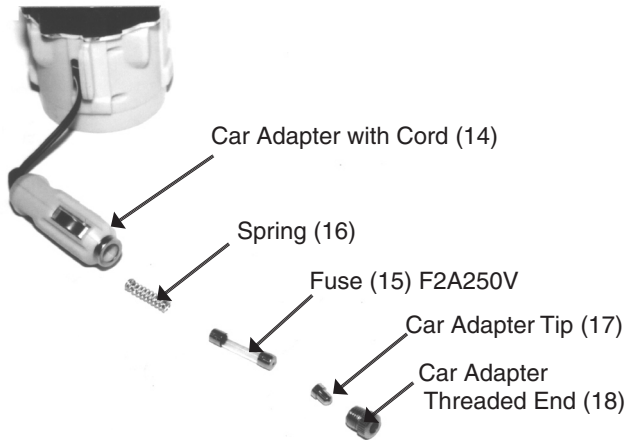


Figure 1

1. Unscrew the Threaded End (18) from the Car Adapter with Cord (14) as shown in Figure 1.
2. Pull out the Fuse (15) from the Car Adapter and Cord (14). The Fuse compartment also includes one Spring (16) and one Car Adapter Tip. These may come out when removing the Fuse (15).
3. The Fuse (15) is a F2A250V amp fuse. Do not replace with a different size fuse, as this may result in excessive heat and explosion, destroying the Spotlight and resulting in injury.
4. Insert the Spring (16), and replace the Fuse (15). Set the Car Adapter Tip (17) over the Fuse and into the Threaded End (18) of the Car Adapter with Cord (14). Screw Threaded End (18) back onto the Car Adapter.

OPERATION INSTRUCTIONS

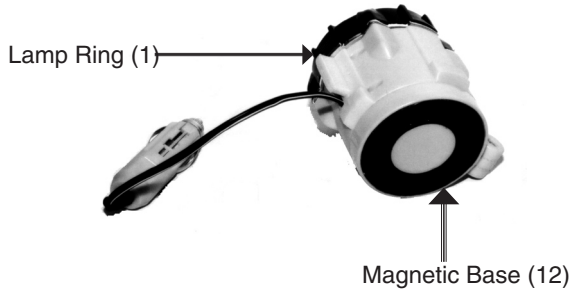


Figure 2

1. Your Mini-LED Spotlight has a Magnetic Base (12) which can be mounted to any metal surface-see Figure 2.
2. The Spotlight cord extends out to 6'-9" from the Car Adapter. Gently pull on the Car Adapter with Cord (14) to extend the cord. To draw the cord back into the housing, turn the Lamp Ring (1) counterclockwise-see Figure 2.

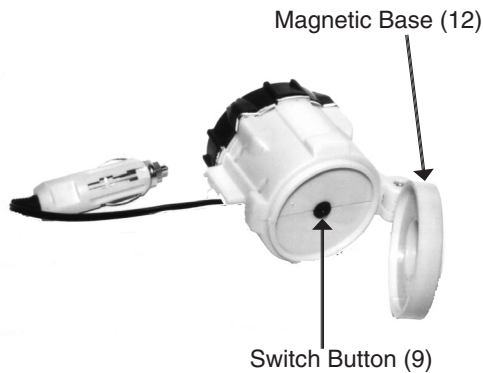


Figure 3

3. The Spotlight can be set to four different lighting functions: Rapid, Interval, Constant, or Off. Flip up the Magnetic Base (12). Push the Switch Button (9) located beneath the Magnetic Base (12) to rotate through each function-see Figure 3.
4. To operate the Car Adapter with Cord (14), plug it into your the lighter socket. Leave the Car Adapter with Cord (14) plugged in while using the Spotlight from your vehicle.

INSPECTION, MAINTENANCE, AND CLEANING

1. **⚠️WARNING!** Make sure the Power Switch is in its “OFF” position and that the Spotlight is unplugged from its power source before performing any inspection, maintenance, or cleaning procedures.
2. **BEFORE EACH USE**, inspect the general condition of the Spotlight. Check for loose screws, misalignment or binding of moving parts, cracked or broken parts, damaged electrical wiring, and any other condition that may affect its safe operation. **Do not use damaged equipment.**
3. Store the Spotlight in a dry location out of direct sunlight. Keep the Spotlight out of the reach of children.
4. Clean with a soft cloth. Do not use flammable liquids or harsh detergents to clean the Spotlight. Do not use a course cloth as this will damage the lens. Do not submerge in fluid to clean.

WARRANTY

The logo for Chicago Electric, featuring the word "CHICAGO" in a large, bold, sans-serif font above the word "Electric" in a smaller, bold, sans-serif font. A registered trademark symbol (®) is located to the right of "CHICAGO". The text is white on a black rectangular background.

CHICAGO
Electric®

**LIMITED 90 DAY
WARRANTY**

Harbor Freight Tools Co. makes every effort to assure that its products meet high quality and durability standards, and warrants to the original purchaser that this product is free from defects in materials and workmanship for the period of ninety days from the date of purchase. This warranty does not apply to damage due directly or indirectly, to misuse, abuse, negligence or accidents, repairs or alterations outside our facilities, or to lack of maintenance. We shall in no event be liable for death, injuries to persons or property, or for incidental, contingent, special or consequential damages arising from the use of our product. Some states do not allow the exclusion or limitation of incidental or consequential damages, so the above limitation of exclusion may not apply to you. **THIS WARRANTY IS EXPRESSLY IN LIEU OF ALL OTHER WARRANTIES, EXPRESS OR IMPLIED, INCLUDING THE WARRANTIES OF MERCHANTABILITY AND FITNESS.**

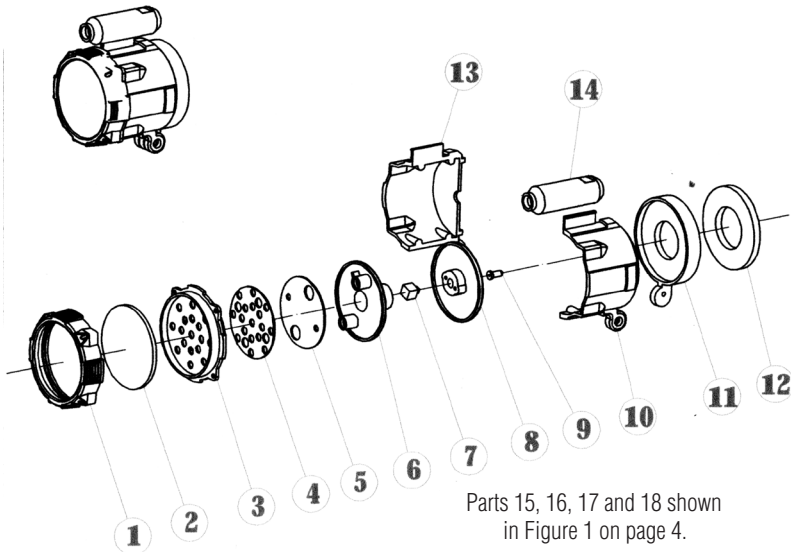
To take advantage of this warranty, the product or part must be returned to us with transportation charges prepaid. Proof of purchase date and an explanation of the complaint must accompany the merchandise. If our inspection verifies the defect, we will either repair or replace the product at our election or we may elect to refund the purchase price if we cannot readily and quickly provide you with a replacement. We will return repaired products at our expense, but if we determine there is no defect, or that the defect resulted from causes not within the scope of our warranty, then you must bear the cost of returning the product.

This warranty gives you specific legal rights and you may also have other rights which vary from state to state.

PARTS LIST

Part	Description	Q'ty	Part	Description	Q'ty
1	Lamp Ring	1	11	Rear Cover	1
2	Glass	1	12	Magnetic Base	1
3	Reflector	1	13	Right Housing	1
4	Circuit Board 1	1	14	Car Adapter with Cord	1
5	Circuit Board 2	1	15	Fuse F2A250V	
6	Upper Cord Reel	1	16	Spring	1
7	Switch	1	17	Car Adapter Tip	1
8	Lower Cord Reel	1	18	Threaded End	1
9	Switch Button	1			
10	Left Housing	1			

ASSEMBLY AND PARTS DIAGRAM



PLEASE READ THE FOLLOWING CAREFULLY